

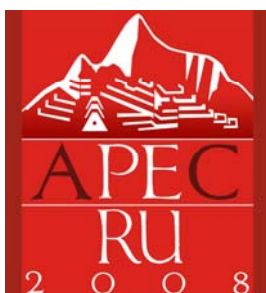


**Asia-Pacific
Economic Cooperation**

2008/SCCP/SWWG/017

World Customs Organization (WCO) Customs Data Model - About Single Window

Purpose: Information
Submitted by: WCO



**Single Window Working Group Meeting
Singapore
28-30 January 2008**



WCO Customs Data Model

About Single Window



Single Window to Government

A Single Window environment sure is a complex technical issue, but it cannot work without the politics and other non-IT issues being examined first.

Please be sure to get the policy, legal and administrative frameworks analysed and sorted before looking at technical options.



Single Window to Government

a cross border, 'intelligent', facility that allows parties involved in trade and transport to lodge standardised information, mainly electronic, with a single entry point to fulfill all import, export and transit related regulatory requirements.



Single Window to Government

- **Single Gateway – inwards & outwards**
- **Harmonised/Standardised Data**
- **Legal agreements in place**
- **Integrated Risk Assessment (*intelligence*)**
- **Audit trail; archiving**

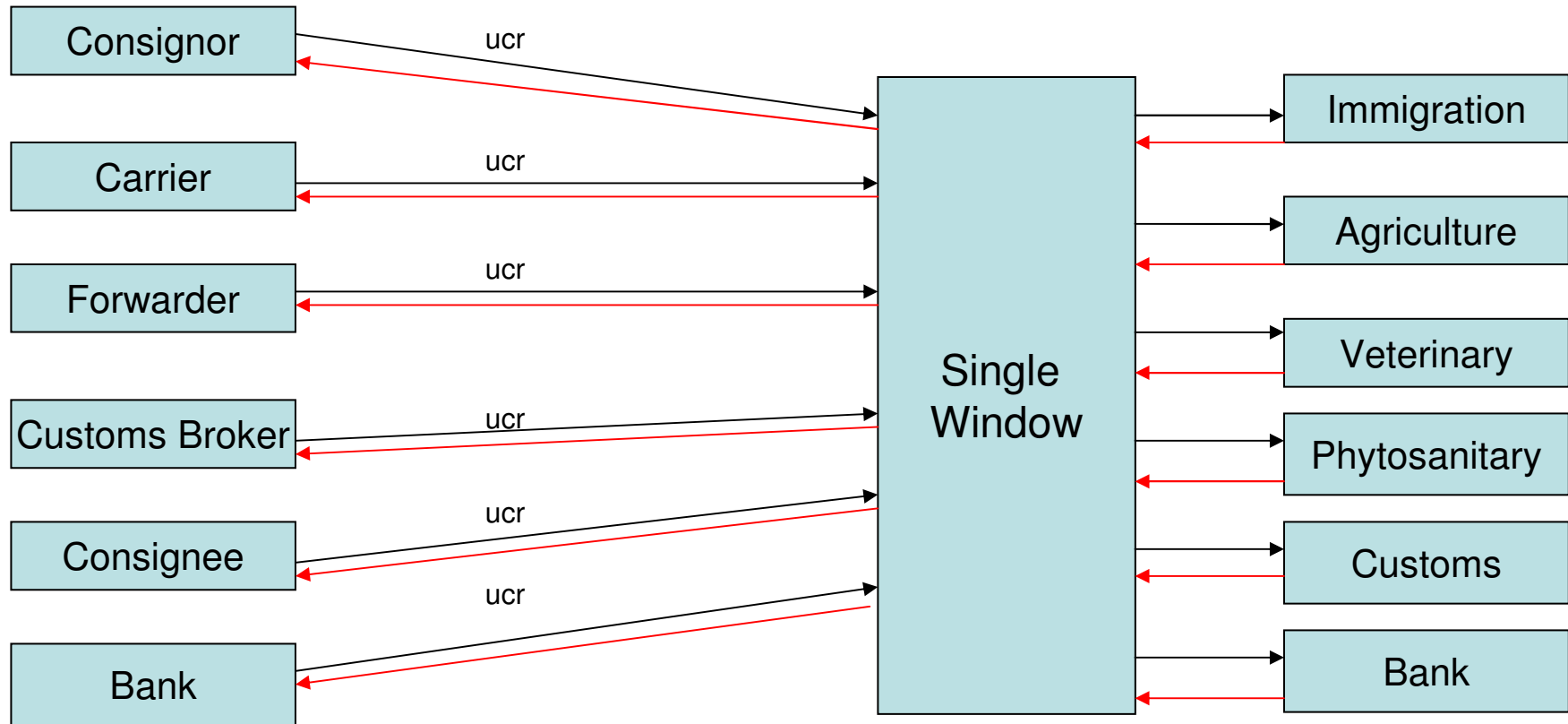


Single Window to Government

- **UN Recommendation 33**
- **WCO Guidelines on “Data Harmonisation and Single Window”**
- **WCO and UNCITRAL a comprehensive “guide” covering (almost) all possible legal requirements, MOU’s, agreements, pitfalls and benefits when setting up or operating a SW.**

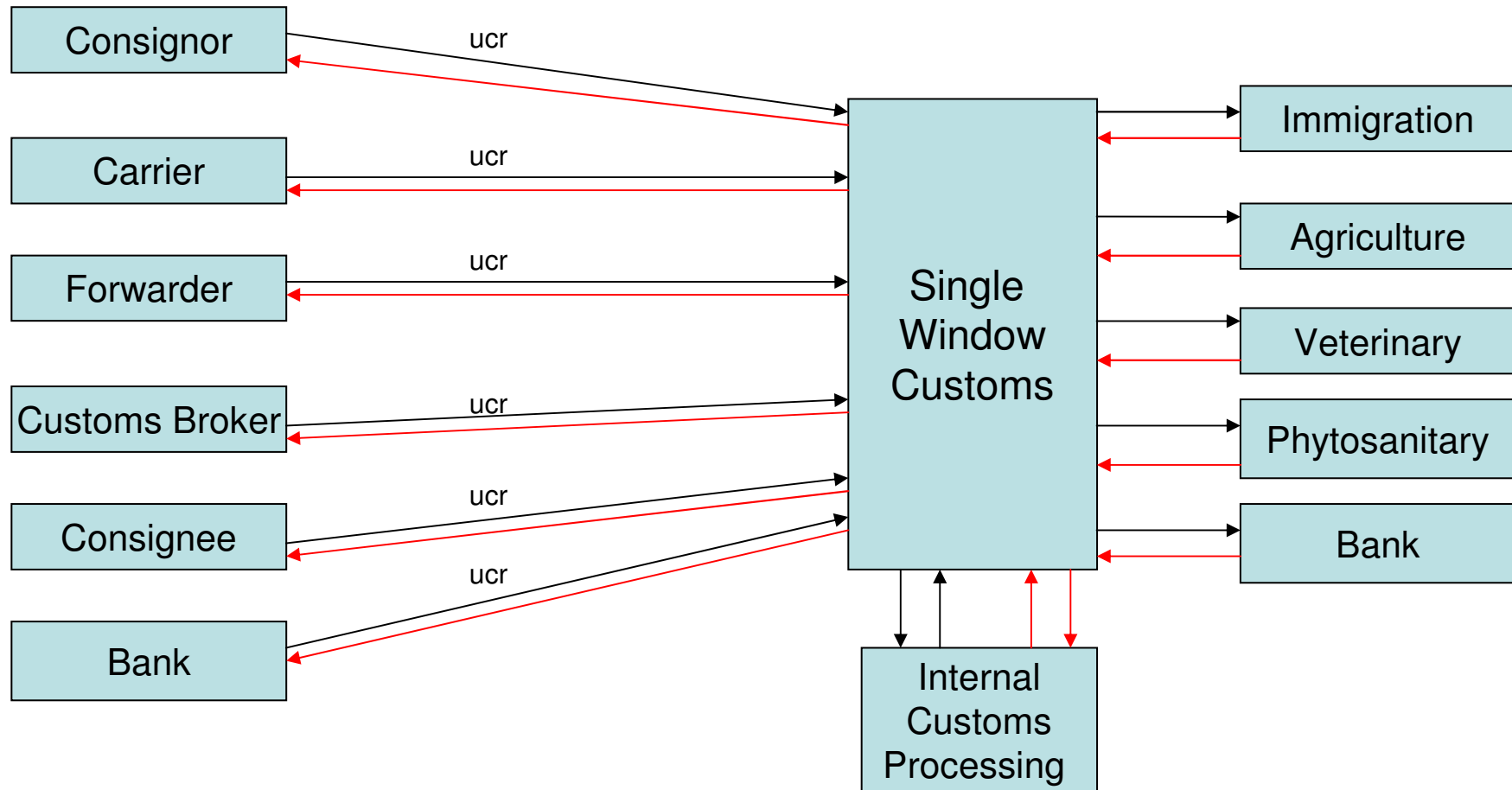


Single Window to Government



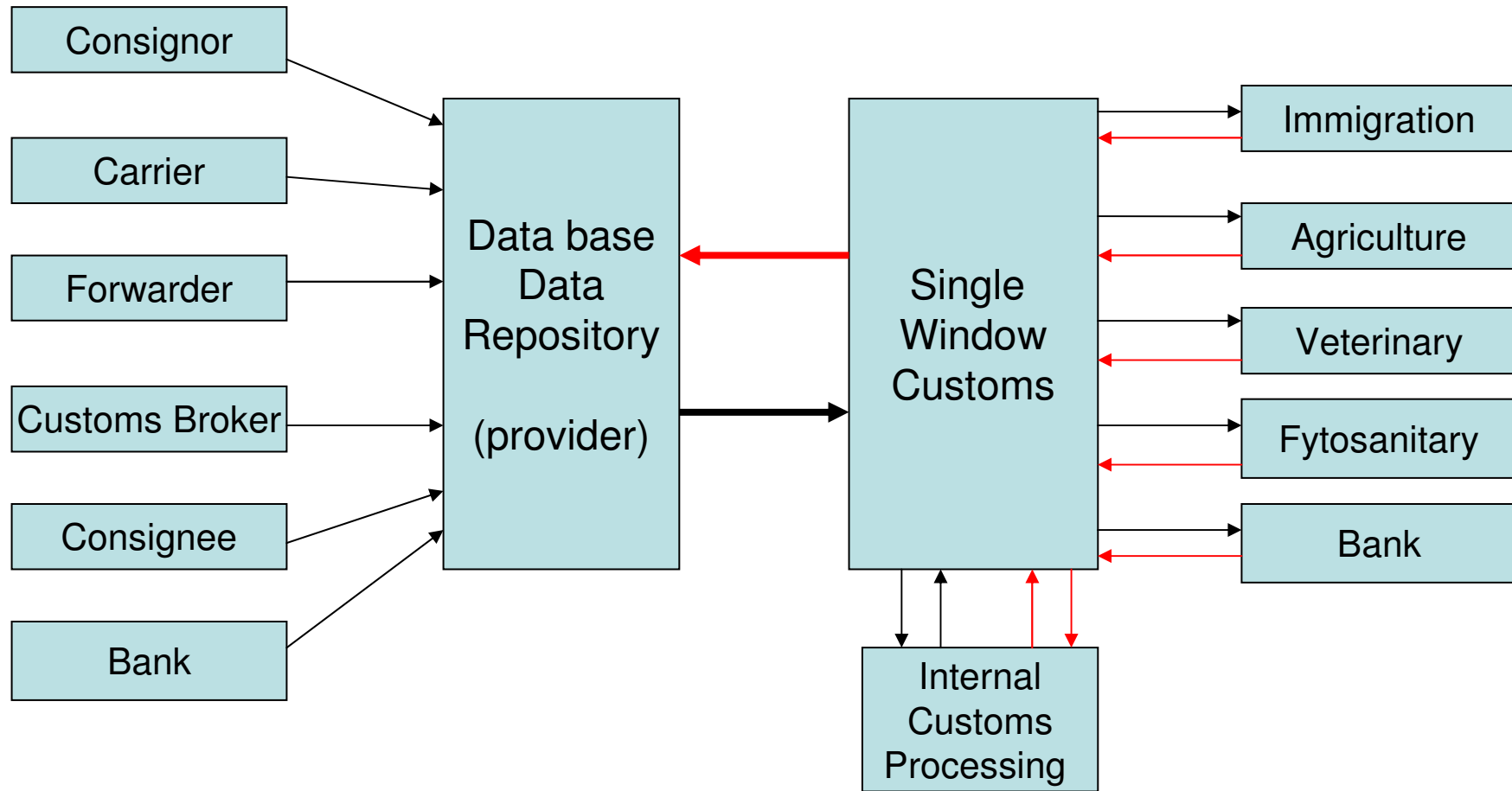


Single Window to Government



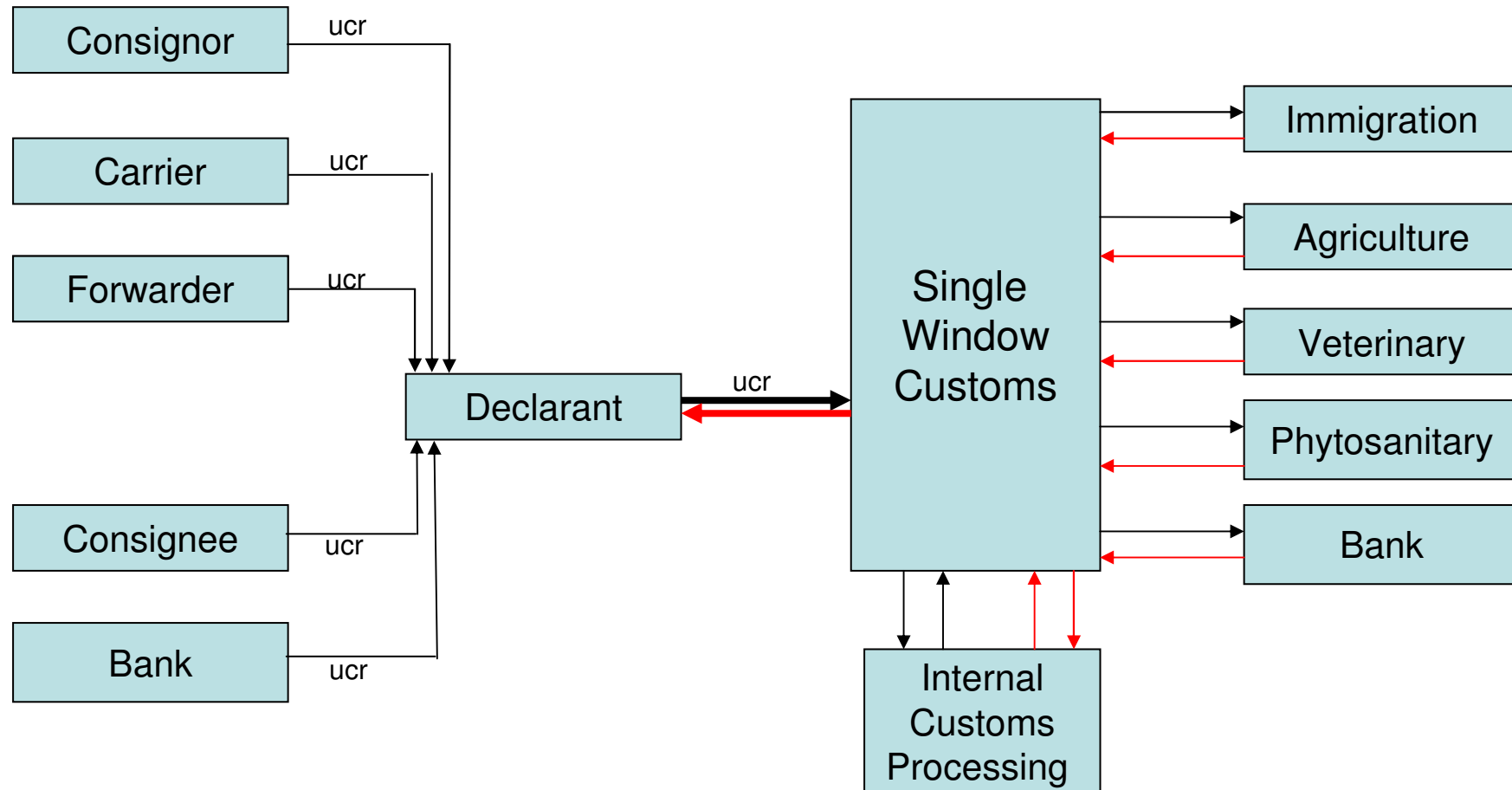


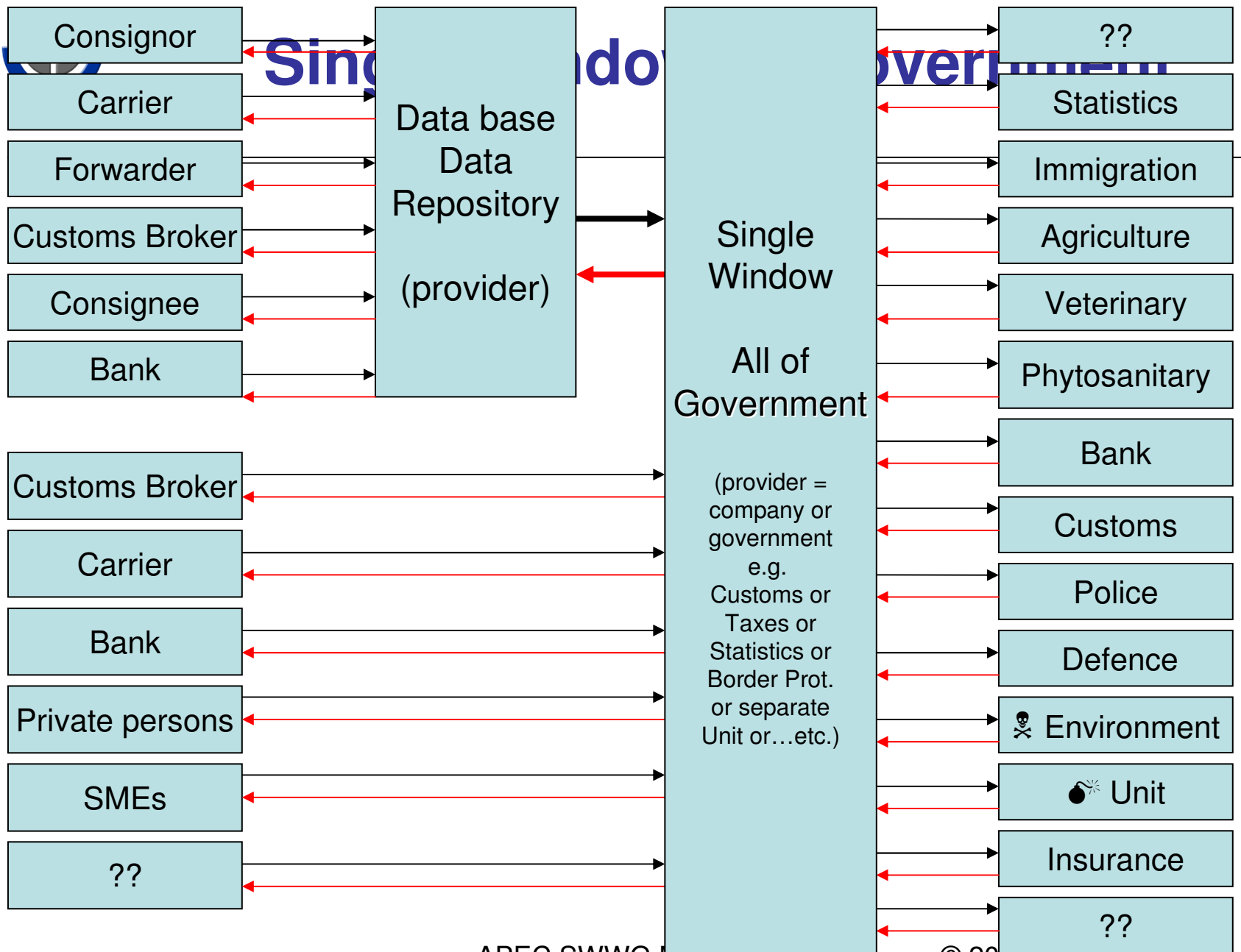
Single Window to Government

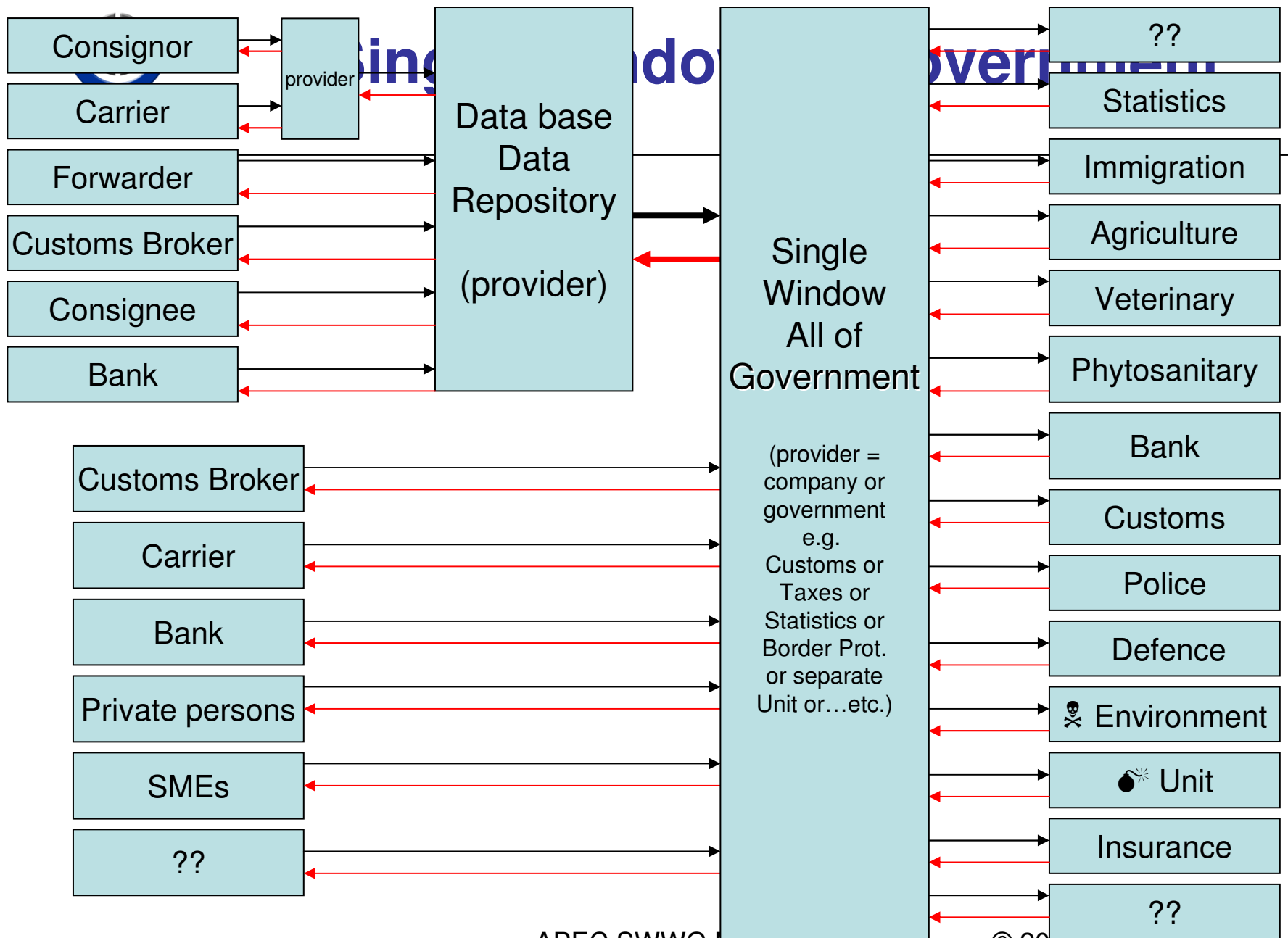




Single Window to Government









SW Data Harmonisation

- **Essentially to do with “standards”**
- **Aim is to reduce redundancy, duplication and ambiguity**
- **Capture/Define/Analyze/Reconcile**
- **WCO Data Harmonisation Guidelines V2**
- **UNTDDED**



One country's experience the AU SDS

- **41 Government Agencies**
- **7,649 data elements collected**
- **275 paper forms**
- **Reduced to 3993 with the elimination of “same as” elements within agencies**
- **Harmonised to 718 prior to agency review**
- **After first quick review = 650**



One country's experience the AU SDS

- **22 Agencies collect the name of the exporter**
- **On 118 different forms**
- **Used 212 times on those 118 forms**
- **Described in 61 different ways**
- **Required in 16 different formats, ranging from 20 to 300 characters in length**
- **The Australian SDS standardised to one data element (Exporter Name) of 70 pos. length.**



Next steps

- **SW developments to be aligned with the WCO Data Model, (such as ASEAN, APEC, Peru)**
- **International organisations to act as enablers (eg: WCO, UN/ECE, APEC, IATA, IMO)**
- **Data harmonisation to continue apace with the use of the ‘WCO Customs Data Harmonisation and Single Window’ Guidelines”**
- **APEC economies to implement Data Model where possible, as committed**



Conclusion

- **Solutions are available**
- **Political will and commitment VITAL**
- **Governments to accede to relevant instruments**
- **Industry support to generate political will and continued commitment**
- **Co-ordination and Co-operation with business and within Government essential**
- **Have the essential Legal amendments in place**
- **Start now, to have it operational 5 years from now.**



THANK YOU

Ger Diepens,
ger.diepens@wcoomd.org